

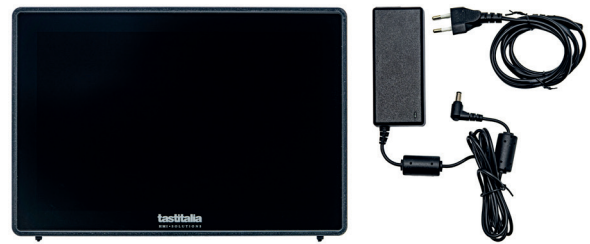


# Starter Kit

## SODIMM

### MICROPROCESSOR ARCHITECTURE

Tastitalia Starter Kit provides a unique platform to quickly evaluate our **SODIMM SOM + Carrier Solution**. The platform contains a full HD Display, a capacitive touch screen and an industrial enclosure



### MAIN FEATURES



#### CPU

NXP i.MX8M Plus (Quad ARM Cortex A53 1.6GHz – ARM cortex M7 800 MHz)



#### RAM

LPDDR4 2GB



#### DISPLAY

10.1" Multitouch PCAP FullHD (1920x1200)



#### NETWORKING

**1x GB Ethernet** / WiFi / Bluetooth 4.2

The features in **bold** are accessible without opening the starter kit back cover.



#### OPERATING SYSTEM

Linux Yocto / Android 12



#### MASS STORAGE

Starting from 8 GB eMMC / micro-SD slot



#### I/O

37 GPIO + 4xPWM



#### GRAPHICS

GC7000UL, 3D and 2D Accelerator



#### INTERFACES

1xSPI, 2xI2C, 1xUART, **1xRS232**, **1xRS485**, **1xCAN**, Mini Pci Express, Micro sim slot, 1xMIPI CSI 4-lane camera, **1xAUX in**, **1xAUX out**



#### POWER SUPPLY

From 15Vdc to 35Vdc / Available voltages on board: 3.3Vdc, 5Vdc, 12Vdc. Included with the starter kit is a 18V 3.6A



#### VIDEO

LVDS interface with 1920x1200 resolution (Full HD) or optional HDMI up to 3840x2160 (4K)



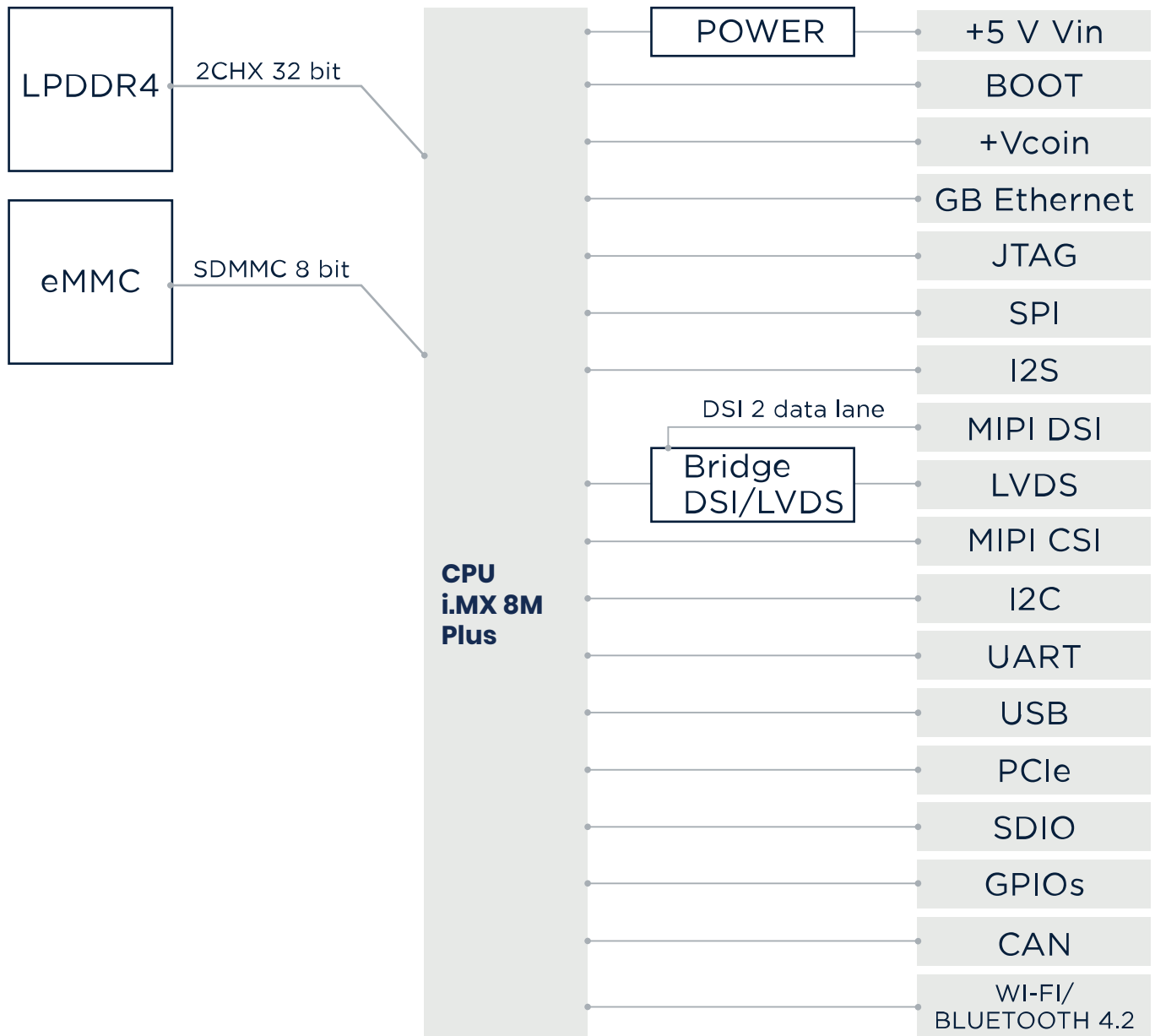
#### USB

**3 USB 2.0** + 2 USB 2.0 + 1 OTG



# SODIMM

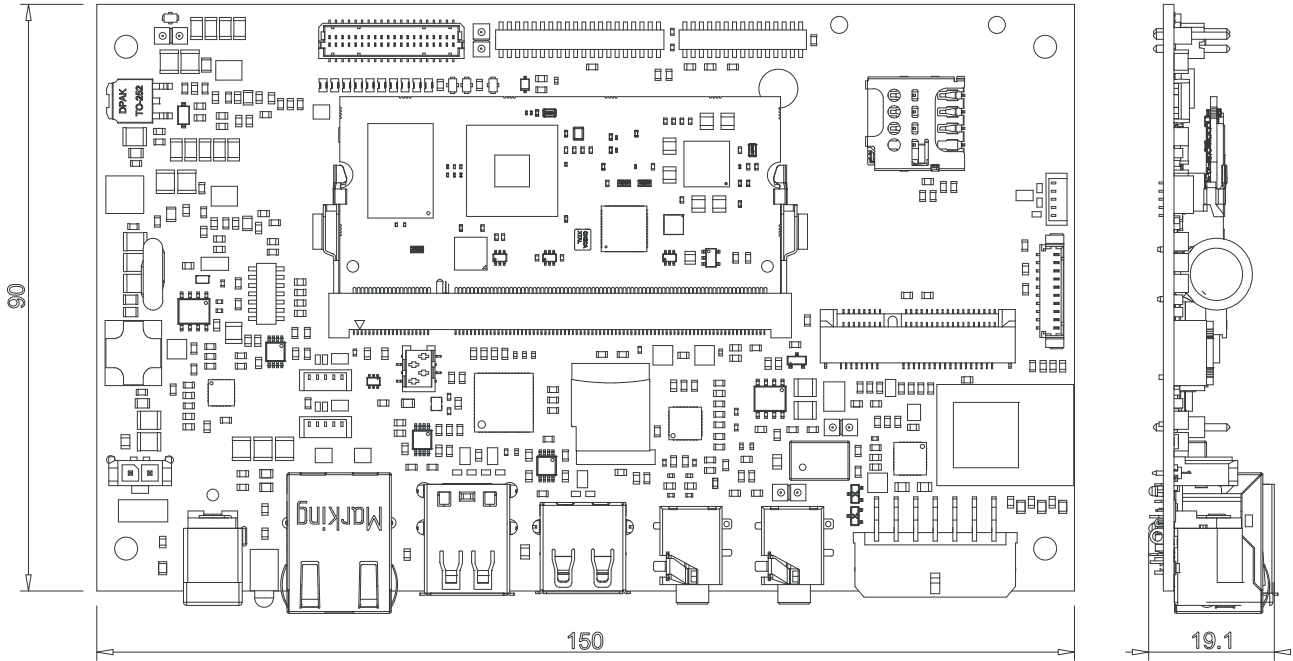
Block Diagram Arm Cortex **i.MX 8M Plus**





# SODIMM

Dimensions



# SODIMM

Interfaces and ports

